

# Sensor Connector Terminal Block



## AFE Series CATALOG

For your safety, read and follow the considerations written in the instruction manual, other manuals and Autonics website. The specifications, dimensions, etc. are subject to change without notice for product improvement. Some models may be discontinued without notice.

### Features

- Quicker and easier wiring with sensor connectors
- Wire stripping and other tools not required
- Compact and space-saving design
- Available to check operation status and cable connection easily with LED light
- DIN rail mount and screw mount methods
- Selectable between NPN and PNP input with NPN/PNP selection switch

### Product Components

- Product
- Instruction manual

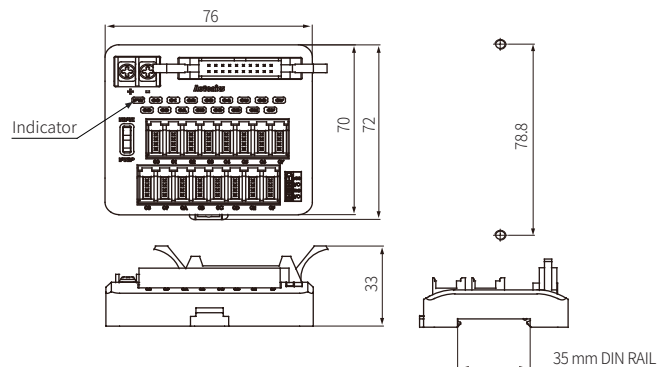
### Specifications

	AFE4-H20-16LF	AFE4-H40-32LF
<b>The number of connector pin</b>	20	40
<b>The number of sensor connector</b>	16	32
<b>Connector for controller side</b>	20-pin Hirose (HIF3BA-20PA-2.54DSA)	40-pin Hirose (HIF3BA-40PA-2.54DSA)
<b>Indicator</b>	Power indicator: red, operation and disconnection indicator: blue	
<b>Material</b>	CASE, BASE: PC	
<b>Approval</b>	CE, RoHS, EAC	
<b>Unit weight (Packaged)</b>	≈ 69 g (≈ 121 g)	≈ 119 g (≈ 203 g)
<b>Voltage</b>	12-24 VDC ± 10%	
<b>Current</b>	≤ 1 A <sup>01)</sup>	
<b>Insulation resistance</b>	≥ 1,000 MΩ (500 VDC ≡ megger)	
<b>Input logic</b>	NPN/PNP switch	
<b>Dielectric strength</b>	600 VAC~ 50/60 Hz for 1 minute	
<b>Vibration</b>	0.75 mm amplitude at frequency of 10 to 55 Hz (for 1 minute) in each X, Y, Z direction for 1 hour	
<b>Vibration (malfunction)</b>	0.75 mm amplitude at frequency of 10 to 55 Hz (for 1 minute) in each X, Y, Z direction for 10 minutes	
<b>Shock</b>	150 m/s <sup>2</sup> (≈ 15 G) in each X, Y, Z direction for 3 times	
<b>Shock (malfunction)</b>	100 m/s <sup>2</sup> (≈ 10 G) in each X, Y, Z direction for 3 times	
<b>Ambient temperature</b>	-15 to 55 °C, storage: -25 to 65 °C (no freezing or condensation)	
<b>Ambient humidity</b>	35 to 85 %RH, storage: 35 to 85 %RH (no freezing or condensation)	
<small>01) It includes LED current of terminal block.</small>		
<b>Tightening torque</b>	0.7 to 0.8 N·m	

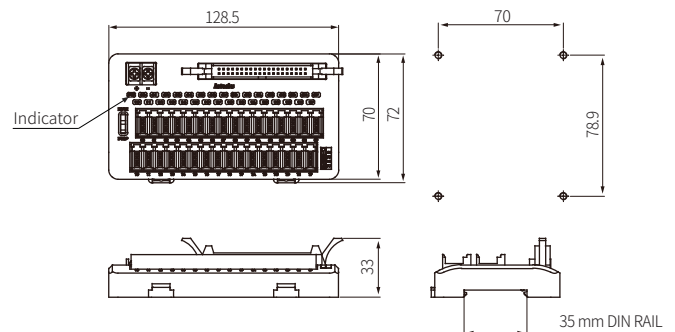
### Dimensions

• Unit: mm, For the detailed dimensions of the product, follow the Autonics web site.

#### ■ AFE4-H20-16LF



#### ■ AFE4-H40-32LF



### Sold Separately

- Sensor connector wire mount plug (CNE-P04-□)
- I/O cable